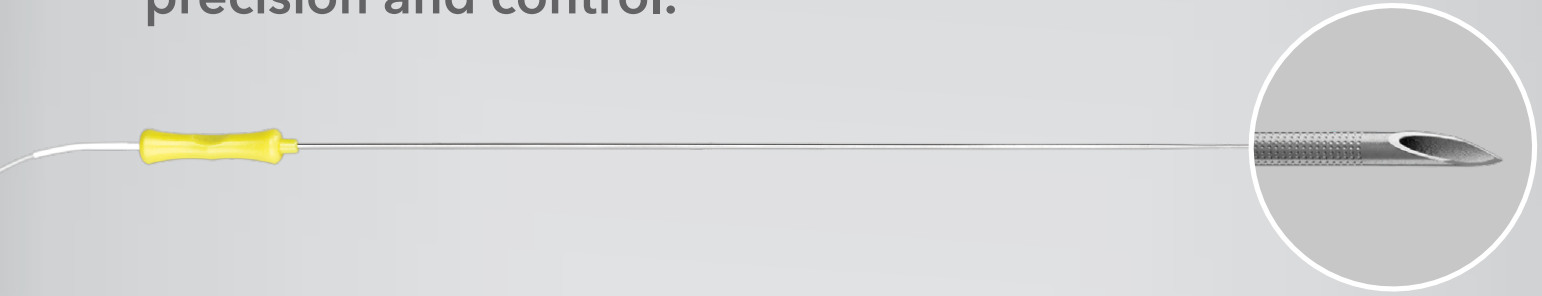


Aspirate follicles with
precision and control.



Otrieva™

TAPERED OVUM ASPIRATION NEEDLE



CookARTlab.com



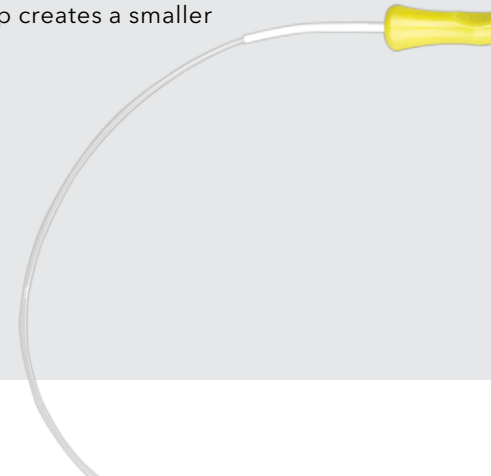
www.cookmedical.com

The precision of a small-gage needle. The control of a rigid one. The Otrieva Tapered Ovum Aspiration Needle is designed to provide both of these benefits.

Developed by Cook, the technology that goes into crafting Otrieva Tapered Ovum Aspiration Needles is unique.

First, the needle is ground from a thick cannula that preserves a smooth, uninterrupted finish in the lumen. This results in a stiff needle with a tapered tip and exceptional control during aspiration.

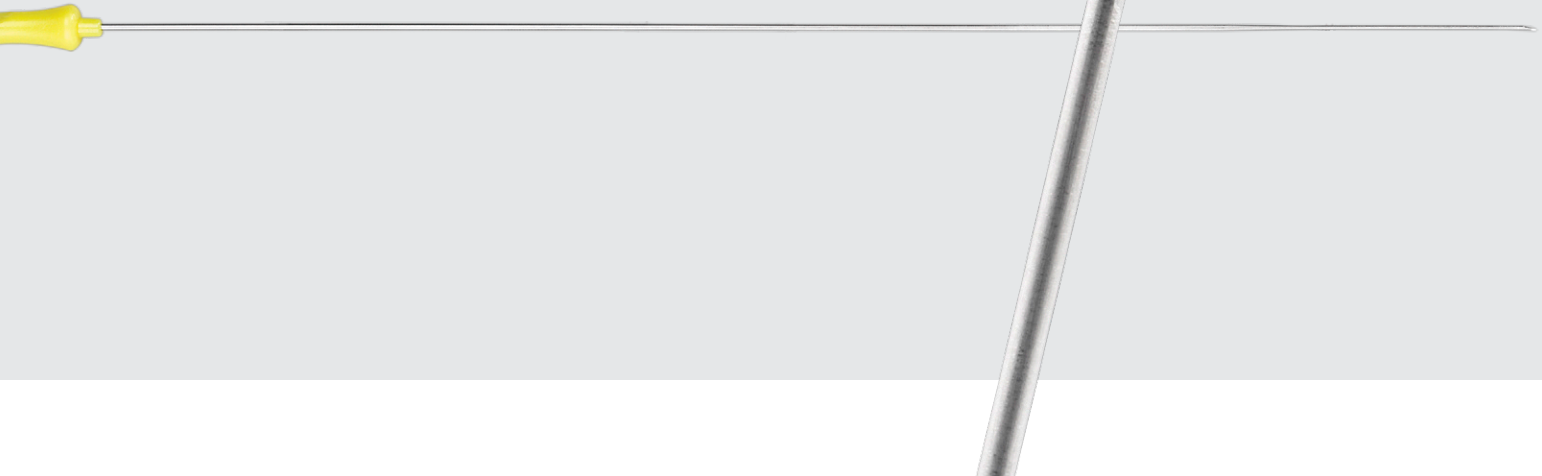
Second, a special tapering process produces a uniform bevel on the tip. This refined tip creates a smaller opening upon entry.



Additionally, this tapering technique maintains a consistent lumen diameter, which allows consistent pressure to help minimize trauma to the egg during collection.

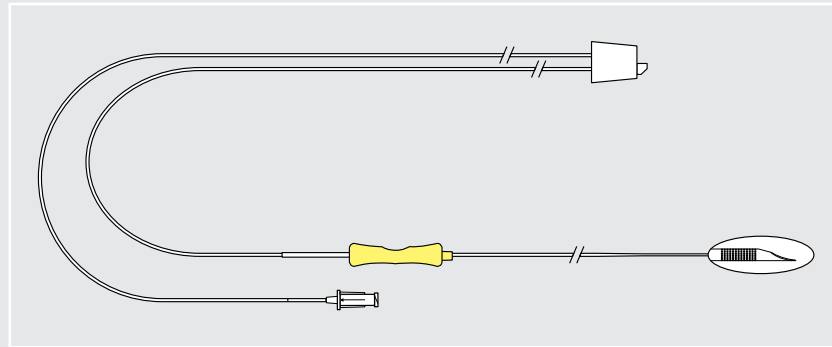
The Otrieva tapered needle also features patented EchoTip® technology that provides a bright view during ultrasound.

◀ Smooth taper




Exceptional control with a fine-gage needle

Effective for follicle aspiration and ovum collection, the Otrieva Tapered Ovum Aspiration Needle offers noticeable stability in a small-gage needle. It combines small-puncture access and precise control in one device.

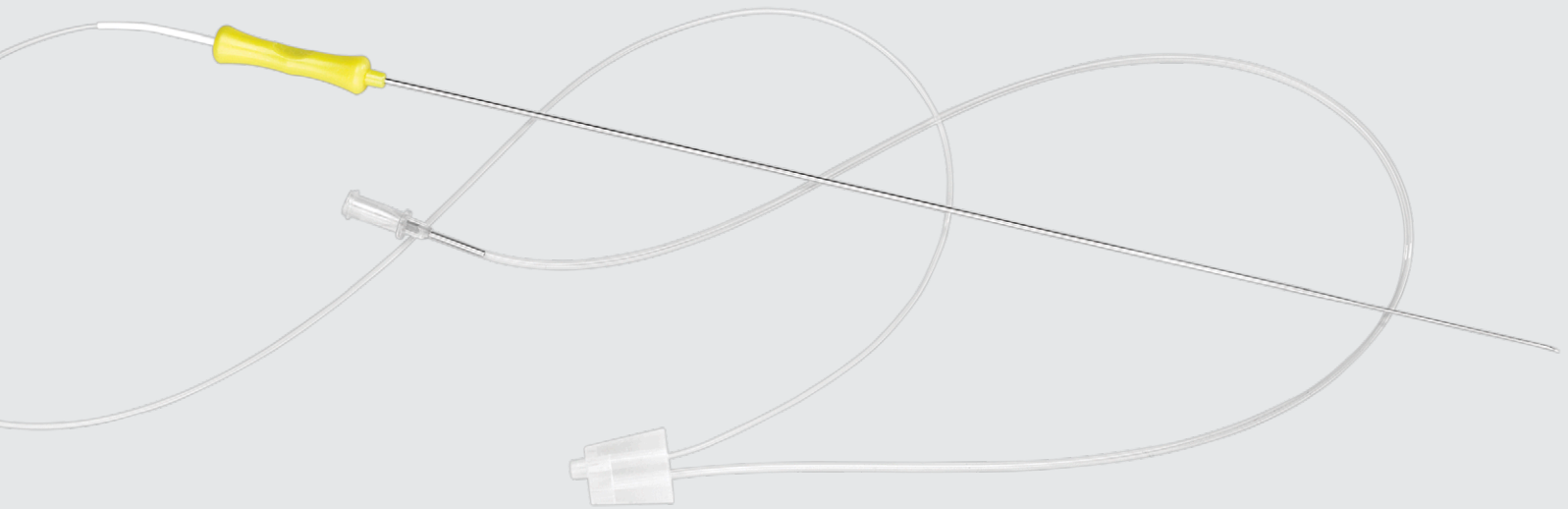


Order Number	Reference Part Number	gage	Lumen gage	Length cm	Bevel	Quantity
G49108	K-TIVM-172030	17 tapers to 20	20	30	A	1
G49109	K-TIVM-172035	17 tapers to 20	20	35	A	1
For Customers in North America and Latin America Only						
G56542	K-TIVM-172030-US	17 tapers to 20	20	30	A	1
G56541	K-TIVM-172035-US	17 tapers to 20	20	35	A	1

Some products or part numbers may not be available in all markets. Contact your local Cook representative or Customer Service for details.



Consistent lumen diameter





RETRIEVE
CULTURE
TRANSFER

Fertility specialists around the world can rely on Cook Medical's expertly crafted assisted reproduction products. Each one is engineered through collaborative research to meet the evolving and exacting needs of this delicate process and optimize outcomes for patients and their families.



IUI



OVUM
ASPIRATION



EMBRYO
CULTURE



MICRO-
MANIPULATION



INCUBATION



EMBRYO
TRANSFER

Sign up for ART news

Be the first to learn about Cook Medical's new products, upcoming events, and live webcasts. Sign up for monthly e-newsletters at www.cookartlab.com.

Customer Service Centers

EMEA: EDI - www.cookmedical.com/edi.do

Distributors: +353 61239240, ssc.distributors@cookmedical.com

Austria: +43 179567121, oe.orders@cookmedical.com

Belgium: +32 27001633, be.orders@cookmedical.com

Denmark: +45 38487607, da.orders@cookmedical.com

Finland: +358 972519996, fi.orders@cookmedical.com

France: +33 171230269, fr.orders@cookmedical.com

Germany: +49 6950072804, de.orders@cookmedical.com

Hungary: +36 17779199, hu.orders@cookmedical.com

Ireland: +353 61239252, ie.orders@cookmedical.com

Italy: +39 0269682853, it.orders@cookmedical.com

Netherlands: +31 202013367, nl.orders@cookmedical.com

Norway: +47 23162968, no.orders@cookmedical.com

Spain: +34 912702691, es.orders@cookmedical.com

Sweden: +46 858769468, se.orders@cookmedical.com

Switzerland - French: +41 448009609, fr.orders@cookmedical.com

Switzerland - Italian: +41 448009609, it.orders@cookmedical.com

Switzerland - German: +41 448009609, de.orders@cookmedical.com

United Kingdom: +44 2073654183, uk.orders@cookmedical.com

www.cookmedical.com

Americas: EDI - www.cookmedical.com/edi.do

Phone: +1 812.339.2235, 800.457.4500, Fax: 800.554.8335

E-mail: orders@cookmedical.com

Australia:

Phone: +61 738411188, 1800777222, Fax: +61 738411288, 1800077283

E-mail: cau.custserv@cookmedical.com

