



# Vital-Port<sup>®</sup>

VASCULAR ACCESS SYSTEM



Trust Cook's full line of ports to meet your venous access needs.

## Vascular Access Sets

The convenience of power injection with the comfort of Vital-Port.



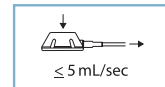
### Features

- Maximum flow rate:  
5 mL/sec.
- Maximum pressure setting:  
325 psi.
- Maximum viscosity of media:  
11.8 cP.
- Use only infusion needles  
approved for power injection.



### Vital-Port Power-Injectable Vascular Access Systems

These specific Vital-Port models have been approved for power injection.



Order Number	Reference Part Number	Catheter ID mm	Catheter Fr	Introducer Fr	Flow Rate mL/sec
<b>Silicone Catheter – Attached with Peel-Away® Introducer Sets</b>					
G26434	IP-S7010	1.4	7.5	8.0	5
G26438	IP-S9010	1.6	9.5	10.0	5
<b>Silicone Catheter – Detached with Peel-Away Introducer Sets</b>					
G26436	IP-S7110	1.4	7.5	8.0	5
G26440	IP-S9110	1.6	9.5	10.0	5
<b>Silicone Catheter – Without Introducer Set</b>					
G20254	IP-7110	1.4	7.5	–	5

Not all part numbers shown on this product information sheet may be approved for sale in all regulatory jurisdictions. Consult with your local Cook representative or customer service center for details.

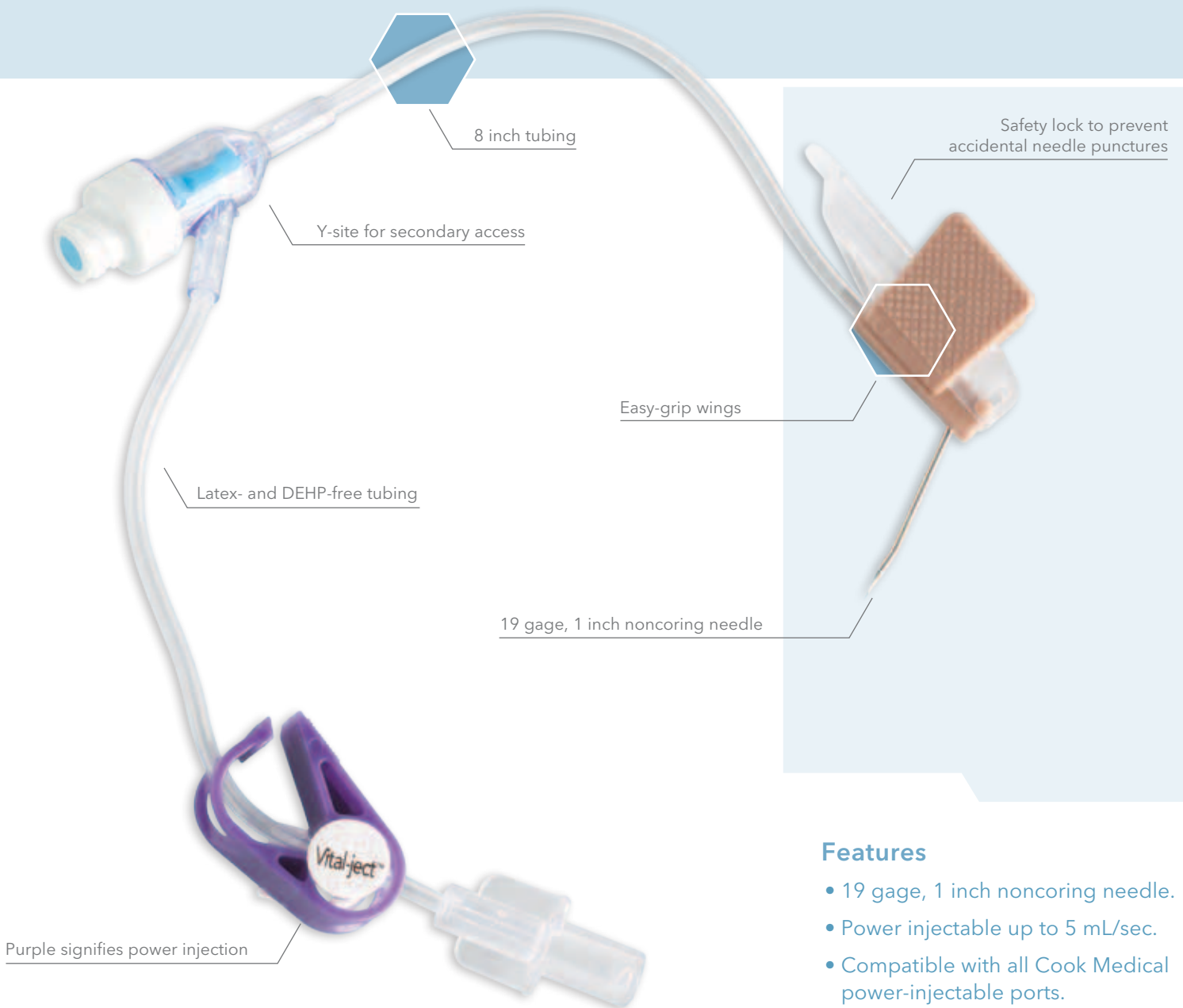


# Vital-Port<sup>®</sup>

VASCULAR ACCESS SYSTEM

## Vital-Ject<sup>™</sup>

Power-injectable safety infusion set.

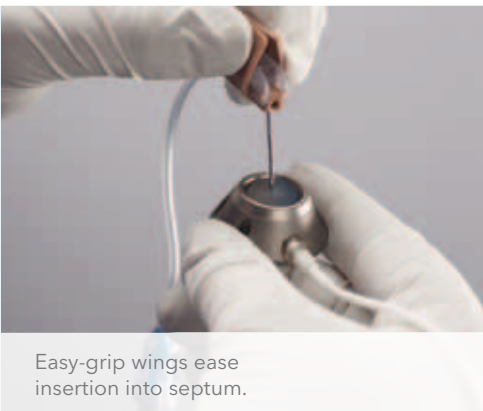


### Features

- 19 gage, 1 inch noncoring needle.
- Power injectable up to 5 mL/sec.
- Compatible with all Cook Medical power-injectable ports.
- Tubing is 8 inches long.
- Latex free, DEHP free.



Noncoring needle preserves septum integrity.



Easy-grip wings ease insertion into septum.



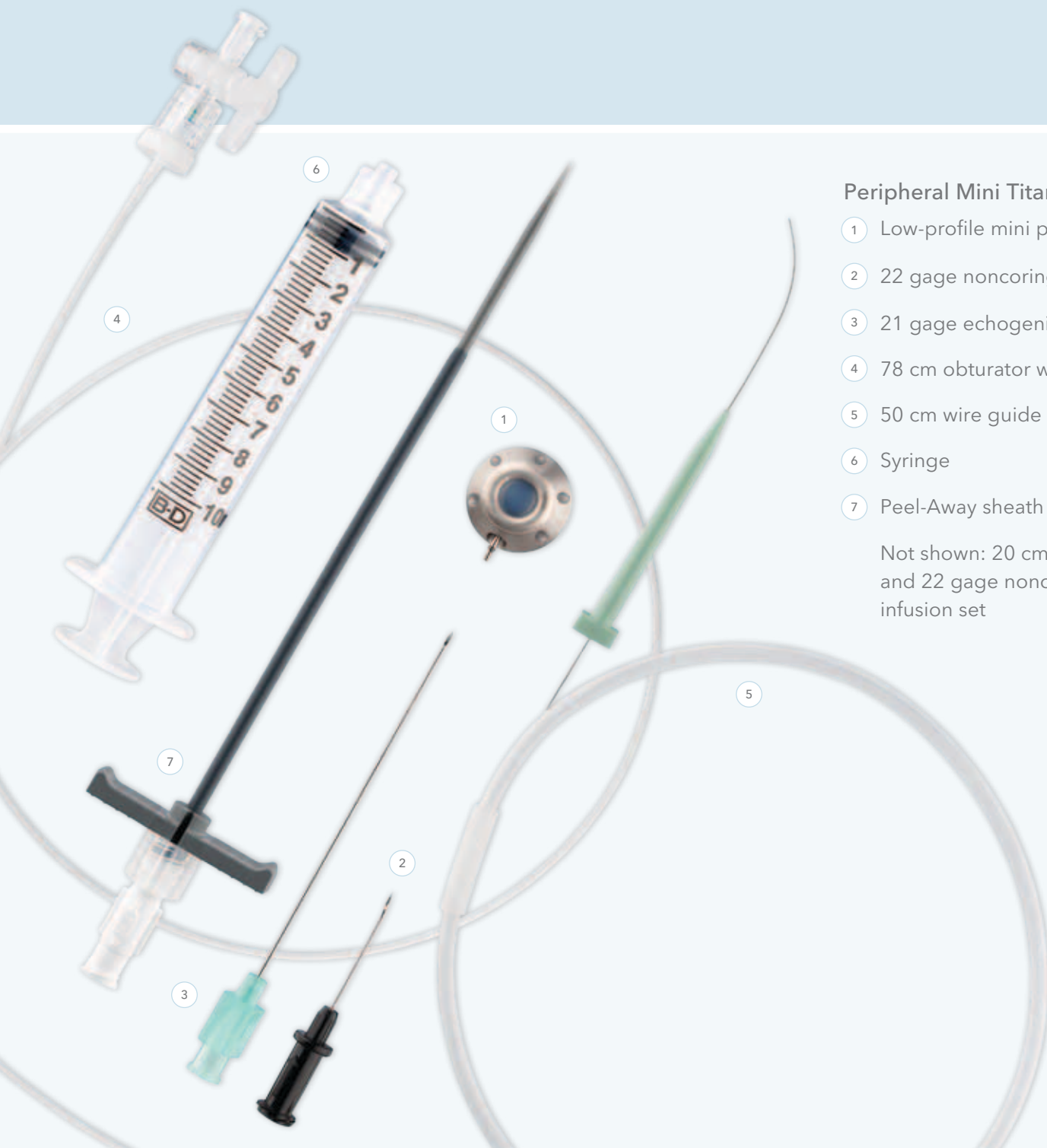
Order Number	Reference Part Number	Flow Rate mL/sec
<b>Infusion Set – Box of 20</b>		
G51520	IP-VJ1910	5

Not all part numbers shown on this product information sheet may be approved for sale in all regulatory jurisdictions. Consult with your local Cook representative or customer service center for details.



## Peripheral Mini Titanium Set

One of the lowest-profile ports available for ease of peripheral placement.



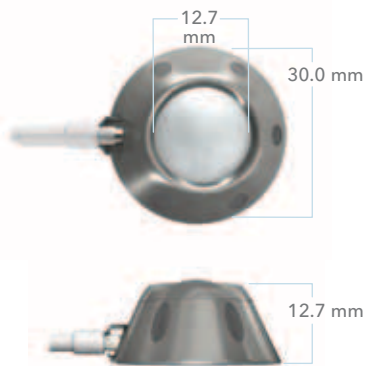
### Peripheral Mini Titanium Set

- ① Low-profile mini port
- ② 22 gage noncoring needle
- ③ 21 gage echogenic access needle
- ④ 78 cm obturator with stopcock
- ⑤ 50 cm wire guide
- ⑥ Syringe
- ⑦ Peel-Away sheath

Not shown: 20 cm metal tunneler and 22 gage noncoring safety infusion set

## STANDARD TITANIUM SINGLE-CHAMBER SYSTEMS

Weight: 17.8 g  
Volume: .62 mL

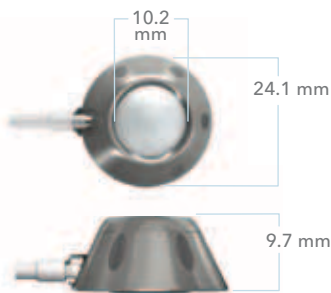


Order Number	Reference Part Number	Catheter ID mm	Catheter Fr	Introducer Fr
<b>Silicone Catheter – Attached with Peel-Away Introducer Set</b>				
G26430	IP-S6010	1.0	6.5	7.0
<b>Silicone Catheter – Detached with Peel-Away Introducer Set</b>				
G26432	IP-S6110	1.0	6.5	7.0

Not all part numbers shown on this product information sheet may be approved for sale in all regulatory jurisdictions. Consult with your local Cook representative or customer service center for details.

## PETITE TITANIUM SINGLE-CHAMBER SYSTEMS

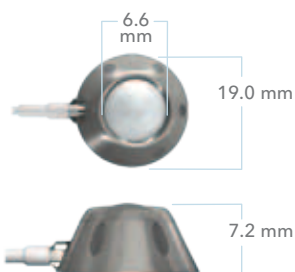
Weight: 9.0 g  
Volume: .35 mL



Order Number	Reference Part Number	Catheter ID mm	Catheter Fr	Introducer Fr
<b>Silicone Catheter – Attached with Peel-Away Introducer Set</b>				
G26431	IP-S6013	1.0	6.5	7.0
<b>Silicone Catheter – Detached with Peel-Away Introducer Set</b>				
G26433	IP-S6113	1.0	6.5	7.0
<b>Silicone Catheter – Detached with Micropuncture® Introducer Set</b>				
G50860	IP-S6113-MPIS-NT	1.0	6.5	7.0
<b>Silicone Catheter – Detached without Introducer Set</b>				
G26424	IP-6113	1.0	6.5	–

## MINI TITANIUM AND PERIPHERAL MINI SINGLE-CHAMBER SYSTEMS

Weight: 5.0 g  
Volume: .15 mL



Order Number	Reference Part Number	Catheter ID mm	Catheter Fr	Introducer Fr
<b>Silicone Catheter – Attached with Peel-Away Introducer Set</b>				
G26469	IP-S5016	.9	5.0	6.0
<b>Silicone Catheter – Detached with Peel-Away Introducer Set</b>				
G26470	IP-S5116	.9	5.0	6.0
<b>Silicone Catheter – Detached with Micropuncture Introducer Set</b>				
G50864	IP-S5116-MPIS-NT	.9	5.0	5.5
<b>Silicone Catheter – Detached without Introducer Set</b>				
G26468	IP-5116	.9	5.0	–
<b>Silicone Catheter – Detached with Obturator and Peel-Away Introducer Set</b>				
G26472	IP-S5116W	.9	5.0	6.0
<b>Silicone Catheter – Detached with Obturator and Micropuncture Introducer Set</b>				
G26489	IP-S5116W-MPIS-NT	.9	5.0	5.5
<b>Silicone Catheter – Detached with Obturator – Without Introducer Set</b>				
G26471	IP-5116W	.9	5.0	–

## Dual Chamber

Manage your multiple-infusion procedures quickly and easily.



### Features

- Available in standard and petite sizes.
- Soft silicone catheter.
- Prefilled suture holes.
- Low profile.



## STANDARD TITANIUM DUAL-CHAMBER SYSTEMS

Weight: 47.0 g  
Volume: .62 mL



Order Number	Reference Part Number	Catheter ID mm	Catheter Fr	Introducer Fr
<b>Silicone Catheter – Attached with Peel-Away Introducer Set</b>				
G26428	IP-S1021	1.2	11.5	12.0
<b>Silicone Catheter – Detached with Peel-Away Introducer Set</b>				
G26429	IP-S1121	1.2	11.5	12.0

Not all part numbers shown on this product information sheet may be approved for sale in all regulatory jurisdictions. Consult with your local Cook representative or customer service center for details.

## PETITE TITANIUM DUAL-CHAMBER SYSTEMS

Weight: 19.1 g  
Volume: .35 mL



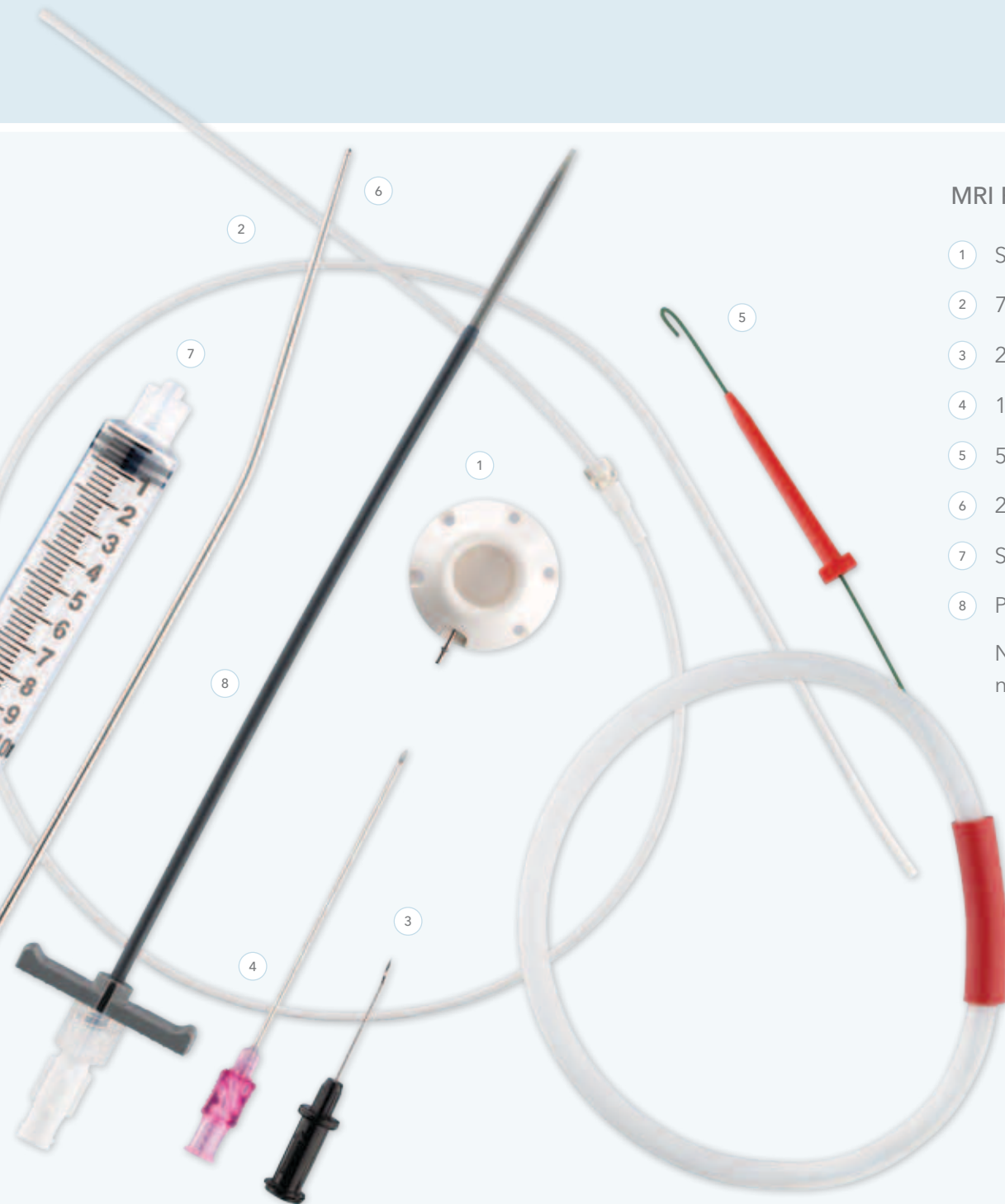
Order Number	Reference Part Number	Catheter ID mm	Catheter Fr	Introducer Fr
<b>Silicone Catheter – Attached with Peel-Away Introducer Set</b>				
G26502	IP-S7029	1.0	7.5	8.0
<b>Silicone Catheter – Detached with Peel-Away Introducer Set</b>				
G26504	IP-S7129	1.0	7.5	8.0
<b>Silicone Catheter – Detached with Micropuncture Introducer Set</b>				
G50863	IP-S7129-MPIS-NT	1.0	7.5	8.0

### Dual chambers shorten procedure time

- Smooth profile ensures minimal pressure points, maximum patient comfort.
- Silicone-filled suture holes allow for easy explantation.
- Septum ridge clearly felt during palpation for quick location, efficient infusion.

## Standard and Petite MRI

Ensure the ultimate in patient comfort with lightweight plastic ports.

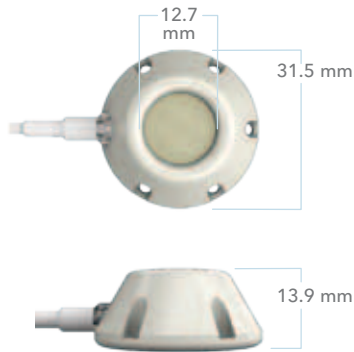


### MRI Port Set

- ① Standard or petite port
  - ② 70 cm catheter
  - ③ 22 gage noncoring needle
  - ④ 18 gage access needle
  - ⑤ 50 cm wire guide
  - ⑥ 20 cm metal tunneler
  - ⑦ Syringe
  - ⑧ Peel-Away sheath
- Not shown: 22 gage noncoring safety infusion set

## STANDARD MRI SINGLE-CHAMBER SYSTEMS

Weight: 8.1 g  
Volume: .62 mL



Order Number	Reference Part Number	Catheter ID mm	Catheter Fr	Introducer Fr
<b>Silicone Catheter – Attached with Peel-Away Introducer Set</b>				
G26458	IP-S6012	1.0	6.5	7.0
G26435	IP-S7012	1.4	7.5	8.0
G26439	IP-S9012	1.6	9.5	10.0
<b>Silicone Catheter – Detached with Peel-Away Introducer Set</b>				
G26449	IP-S6112	1.0	6.5	7.0
G26437	IP-S7112	1.4	7.5	8.0
G26441	IP-S9112	1.6	9.5	10.0
<b>Silicone Catheter – Detached without Introducer Set</b>				
G19803	IP-7112	1.4	7.5	8.0
G19769	IP-9112	1.6	9.5	10.0

Not all part numbers shown on this product information sheet may be approved for sale in all regulatory jurisdictions. Consult with your local Cook representative or customer service center for details.

## PETITE MRI SINGLE-CHAMBER SYSTEMS

Weight: 4.1 g  
Volume: .35 mL



Order Number	Reference Part Number	Catheter ID mm	Catheter Fr	Introducer Fr
<b>Silicone Catheter – Attached with Peel-Away Introducer Set</b>				
G26507	IP-S5018	.9	5.0	6.0
G26511	IP-S6018	1.0	6.5	7.0
<b>Silicone Catheter – Detached with Peel-Away Introducer Set</b>				
G26509	IP-S5118	.9	5.0	6.0
G26513	IP-S6118	1.0	6.5	7.0
<b>Silicone Catheter – Detached with Micropuncture Introducer Set</b>				
G50862	IP-S5118-MPIS-NT	.9	5.0	5.5
G50861	IP-S6118-MPIS-NT	1.0	6.5	7.0
<b>Silicone Catheter – Attached without Introducer Set</b>				
G26510	IP-6018	1.0	6.5	-

### Comfortable MRI ports

- Lightweight
- Silicone catheter
- Micropuncture or Peel-Away introducer set



Simple insertion process eases attachment.



Locking sleeve reduces catheter kinking.

AORTIC INTERVENTION  
CRITICAL CARE  
ENDOSCOPY  
INTERVENTIONAL RADIOLOGY  
LEAD MANAGEMENT  
PERIPHERAL INTERVENTION  
SURGERY  
UROLOGY  
WOMEN'S HEALTH



### Customer Service Centers

**EMEA:** EDI - [www.cookmedical.com/edi.do](http://www.cookmedical.com/edi.do)  
Distributors: +353 61239240, [ssc.distributors@cookmedical.com](mailto:ssc.distributors@cookmedical.com)  
Austria: +43 179567121, [oe.orders@cookmedical.com](mailto:oe.orders@cookmedical.com)  
Belgium: +32 27001633, [be.orders@cookmedical.com](mailto:be.orders@cookmedical.com)  
Denmark: +45 38487607, [da.orders@cookmedical.com](mailto:da.orders@cookmedical.com)  
France: +33 171230269, [fr.orders@cookmedical.com](mailto:fr.orders@cookmedical.com)  
Germany: +49 6950072804, [de.orders@cookmedical.com](mailto:de.orders@cookmedical.com)  
Hungary: +36 17779199, [hu.orders@cookmedical.com](mailto:hu.orders@cookmedical.com)  
Ireland: +353 61239252, [ie.orders@cookmedical.com](mailto:ie.orders@cookmedical.com)  
Italy: +39 0269682853, [it.orders@cookmedical.com](mailto:it.orders@cookmedical.com)  
Netherlands: +31 202013367, [nl.orders@cookmedical.com](mailto:nl.orders@cookmedical.com)  
Norway: +47 23162968, [no.orders@cookmedical.com](mailto:no.orders@cookmedical.com)  
Poland: +48 223060159, [pl.orders@cookmedical.com](mailto:pl.orders@cookmedical.com)  
Spain: +34 912702691, [es.orders@cookmedical.com](mailto:es.orders@cookmedical.com)  
Sweden: +46 858769468, [se.orders@cookmedical.com](mailto:se.orders@cookmedical.com)  
Switzerland - French: +41 448009609, [fr.orders@cookmedical.com](mailto:fr.orders@cookmedical.com)  
Switzerland - Italian: +41 448009609, [it.orders@cookmedical.com](mailto:it.orders@cookmedical.com)  
Switzerland - German: +41 448009609, [de.orders@cookmedical.com](mailto:de.orders@cookmedical.com)  
United Kingdom: +44 2073654183, [uk.orders@cookmedical.com](mailto:uk.orders@cookmedical.com)

[www.cookmedical.com](http://www.cookmedical.com)

**Americas:** EDI - [www.cookmedical.com/edi.do](http://www.cookmedical.com/edi.do)  
Phone: +1 812.339.2235, 800.457.4500, Fax: 800.554.8335  
E-mail: [orders@cookmedical.com](mailto:orders@cookmedical.com)

**Australia:**  
Phone: +61 738411188, 1800777222, Fax: +61 738411288, 1800077283  
E-mail: [cau.custserv@cookmedical.com](mailto:cau.custserv@cookmedical.com)

